



CT CORE BALANCE

for Earth Fault

- Revelator of earth fault
- Isolated from high-voltage network
- Internal diameters of 8, 15 and 28 cm
- Usable for earth fault relays (ampere range) and earth leakage relays (milliampere range)
- Adaptable to different types of earth leakage and external earth fault relays

Principles of Operation:

This core balance CT acts based on vector summation of passing currents through the device.

If vector summation of passing currents is zero, output voltage of core balance CT will be zero. But if it is not zero, there would be a voltage at core balance CT output proportional to leakage current. The voltage magnitude is proportional to leakage current (100 mV/A and linear up to 100 A).

According to the device setting, connection or disconnection command will be applied by application of this voltage to earth fault and earth leakage devices.

Installation and Start-Up:

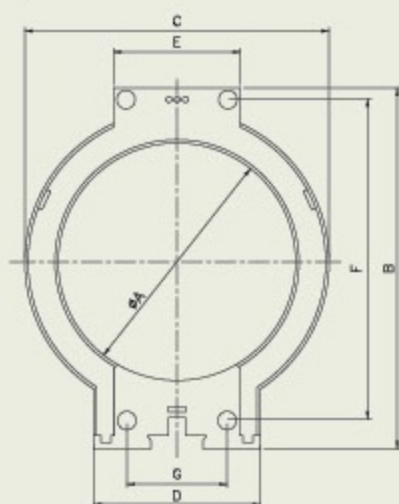
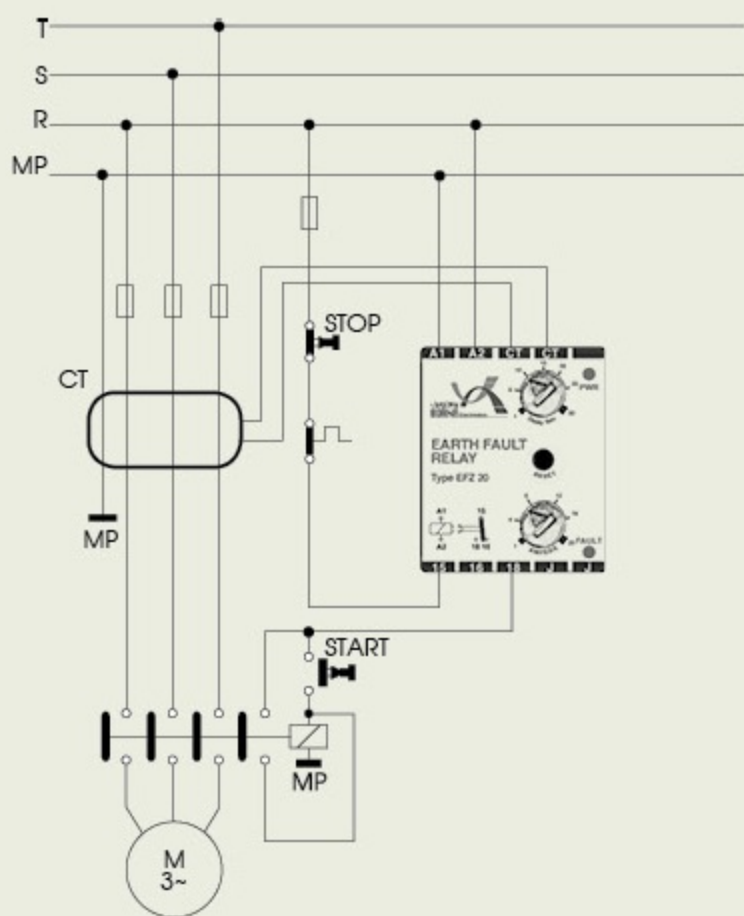
All the wires of consumer should pass through CT.

Output terminals of CT have to be connected to CT terminals of earth fault or earth leakage relay.

If leakage fault happens after start of earth fault device, a voltage proportional to leakage current will be applied to earth fault device. Therefore, if leakage current is above the adjusted limit, relay will command to disconnect.

Technical Specifications:

- ▣ Accuracy Class: 1.5
- ▣ Device Model: 8/10, 15/10, 28/10
- ▣ Ratio of output voltage to leakage current: 100 mV/A and linear up to 100 A)
- ▣ Internal Diameter: In three sizes, 8, 10 and 28 cm.



Dimension Detail							
Title	A (mm)	B (mm)	C (mm)	D (mm)	E (mm)	F (mm)	G (mm)
CT8	80	150	121	80	56	125	40
CT15	142	217	180	100	75	193	60
CT28	285	355	305	100	75	330	60